

Catalog Number
Notes
Type

Contractor Select

## FEATURES & SPECIFICATIONS

**INTENDED USE** — Ideal one-for-one replacement of conventional lighting systems such as HID and fluorescent. Applications include manufacturing, warehousing and other large indoor spaces with mounting heights ranging from 10'-45' to the bottom of the luminaire. Luminaire shall be suspended mount only. Surface mounting is not permitted. **Certain airborne contaminants can diminish integrity of acrylic.** [Click here for Acrylic Environmental Compatibility table for suitable uses.](#)

**CONSTRUCTION** — Die-formed aluminum alloy chassis with integrated fins for superior cooling through natural convection. The channel is made of heavy-duty code gauge (20-gauge) steel, which is powder coated after fabrication. The assembly is rigidly designed to resist twisting and bowing. Access plate on the back of the channel housing allows quick and easy wiring.

**OPTICS** — Medium distribution to meet both horizontal and vertical light level requirements. Reflectors are precision formed and painted high reflectance white. Semi-diffuse acrylic lens is standard to provide glare control and LED protection.

**ELECTRICAL** — L70 at 97,000 hours, L85 at 42,000 hours. Thermally protected driver standard with 0-10V dimming. Input wattage is 145W at 277VAC, and 149W at 120VAC. Input watts can be found on page 2.

**INSTALLATION** — Suitable for suspension by chain, cable or single pendant monopoint. To maintain ambient listing, fixture must be mounted at a minimum of 24 inches below ceiling.

**LISTINGS** — CSA certified to US and Canadian safety standards. Damp location listed. Ambient operating temperatures from -20°C to +40°C.

DesignLights Consortium® (DLC) qualified product. Not all versions of this product may be DLC qualified. Please check the DLC Qualified Products List at [www.designlights.org](http://www.designlights.org) to confirm which versions are qualified.

**WARRANTY** — 5-year limited warranty. Complete warranty terms located at [www.acuitybrands.com/CustomerResources/Terms\\_and\\_conditions.aspx](http://www.acuitybrands.com/CustomerResources/Terms_and_conditions.aspx)

Actual performance may differ as a result of end-user environment and application.

Actual wattage may differ by +/- 7% when operating between 120-277V +/- 10% at 77°F (25°C).

Note: Specifications subject to change without notice.

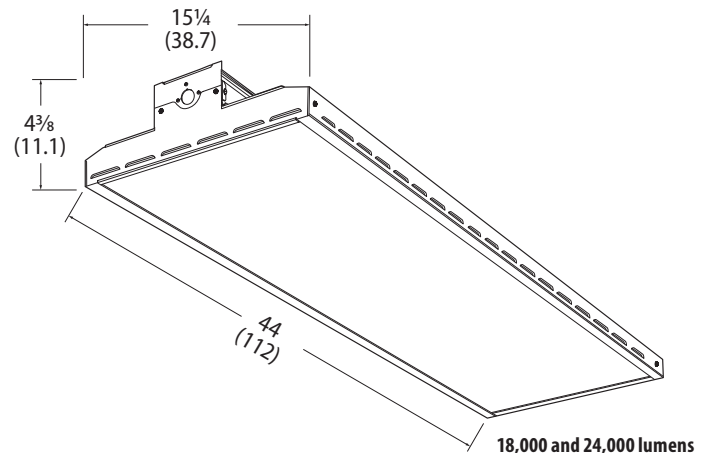
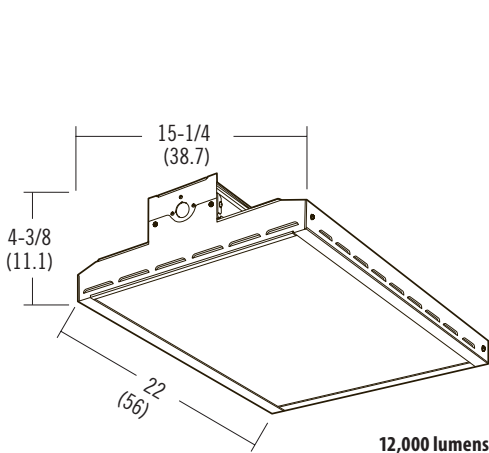
# LED Bay Lighting



## DIMENSIONS

All dimensions are in inches (centimeters) unless otherwise indicated.

SPECIFICATIONS					
All dimensions are shown in inches (centimeters) unless otherwise noted.					
Lumens	Length	Width	Depth	Weight	Recommended light source comparison
12,000	22 (56)	15-1/4 (38.7)	4-3/8(11.1)	10 lbs. (4.5 kg)	250W MH, 3-lamp T5HO, 4-lamp T8
18,000	44 (112)	15-1/4 (38.7)	4-3/8 (11.1)	20 lbs. (9.0kg)	400W MH, 4-lamp T5HO, 6-lamp T8
24,000	44 (112)	15-1/4 (38.7)	4-3/8 (11.1)	20 lbs. (9.0kg)	6-lamp T5HO, 8-lamp T8



# LED Bay Lighting

## ORDERING INFORMATION

Catalog number	UPC	Description	Lumens*	Color temperature*	Wattage*	Voltage	Distribution	Pallet quantity	Standard carton quantity
IBH 12L MVOLT	820476772351	LED bay light	12,000	4000K, 70CRI	125	120 - 277	Medium	48	1
IBH 12L HVOLT	820476772399	LED bay light	12,000	4000K, 70CRI	125	347 - 480	Medium	48	1
IBH 12L MVOLT WGX	820476772627	LED bay light with wire guard	12,000	4000K, 70CRI	125	120 - 277	Medium	48	1
IBH 12L HVOLT WGX	820476772566	LED bay light with wire guard	12,000	4000K, 70CRI	125	347 - 480	Medium	48	1
IBH 12L MVOLT CS93W	820476772580	LED bay light with 6' 50 white cord, no plug	12,000	4000K, 70CRI	125	120 - 277	Medium	48	1
IBH 12L HVOLT CS93W	820476772542	LED bay light with 6' 50 white cord, no plug	12,000	4000K, 70CRI	125	347 - 480	Medium	48	1
IBH 12L 120/277 MSID	820476772443	LED bay light with aisle motion sensor pre-wired for HI/LO dimming	12,000	4000K, 70CRI	125	120/277	Medium	48	1
IBH 12L 347 MSID	820476772535	LED bay light with aisle motion sensor pre-wired for HI/LO dimming	12,000	4000K, 70CRI	125	347	Medium	48	1
IBH 12L 120/277 MSI360D	820476772436	LED bay light with 360° motion sensor pre-wired for HI/LO dimming	12,000	4000K, 70CRI	125	120/277	Medium	48	1
IBH 12L 347 MSI360D	820476772511	LED bay light with 360° motion sensor pre-wired for HI/LO dimming	12,000	4000K, 70CRI	125	347	Medium	48	1
IBH 18L MVOLT	820476682117	LED bay light	18,000	4000K, 70CRI	198	120 - 277	Medium	24	1
IBH 18L HVOLT	820476708398	LED bay light	18,000	4000K, 70CRI	198	347 - 480	Medium	24	1
IBH 18L MVOLT WGX	820476756061	LED bay light with wire guard	18,000	4000K, 70CRI	198	120 - 277	Medium	24	1
IBH 18L HVOLT WGX	820476756054	LED bay light with wire guard	18,000	4000K, 70CRI	198	347 - 480	Medium	24	1
IBH 18L MVOLT CS93W	820476756047	LED bay light with 6' 50 white cord, no plug	18,000	4000K, 70CRI	198	120 - 277	Medium	24	1
IBH 18L HVOLT CS93W	820476756030	LED bay light with 6' 50 white cord, no plug	18,000	4000K, 70CRI	198	347 - 480	Medium	24	1
IBH 18L 120/277 MSID	820476755965	LED bay light with aisle motion sensor pre-wired for HI/LO dimming	18,000	4000K, 70CRI	198	120/277	Medium	24	1
IBH 18L 347 MSID	820476756009	LED bay light with aisle motion sensor pre-wired for HI/LO dimming	18,000	4000K, 70CRI	198	347	Medium	24	1
IBH 18L 120/277 MSI360D	820476755910	LED bay light with 360° motion sensor pre-wired for HI/LO dimming	18,000	4000K, 70CRI	198	120/277	Medium	24	1
IBH 18L 347 MSI360D	820476755996	LED bay light with 360° motion sensor pre-wired for HI/LO dimming	18,000	4000K, 70CRI	198	347	Medium	24	1
IBH 24L MVOLT	820476617775	LED bay light	24,000	4000K, 70CRI	258	120 - 277	Medium	24	1
IBH 24L HVOLT	820476708466	LED bay light	24,000	4000K, 70CRI	258	347 - 480	Medium	24	1
IBH 24L MVOLT WGX	820476756146	LED bay light with wire guard	24,000	4000K, 70CRI	258	120 - 277	Medium	24	1
IBH 124L HVOLT WGX	820476756139	LED bay light with wire guard	24,000	4000K, 70CRI	258	347 - 480	Medium	24	1
IBH 24L MVOLT CS93W	820476756108	LED bay light with 6' 50 white cord, no plug	24,000	4000K, 70CRI	258	120 - 277	Medium	24	1
IBH 24L HVOLT CS93W	820476756085	LED bay light with 6' 50 white cord, no plug	24,000	4000K, 70CRI	258	347 - 480	Medium	24	1
IBH 24L 120/277 MSID	820476756221	LED bay light with aisle motion sensor pre-wired for HI/LO dimming	24,000	4000K, 70CRI	258	120/277	Medium	24	1
IBH 24L 347 MSID	820476756252	LED bay light with aisle motion sensor pre-wired for HI/LO dimming	24,000	4000K, 70CRI	258	347	Medium	24	1
IBH 24L 120/277 MSI360D	820476756207	LED bay light with 360° motion sensor pre-wired for HI/LO dimming	24,000	4000K, 70CRI	258	120/277	Medium	24	1
IBH 24L 347 MSI360D	820476756238	LED bay light with 360° motion sensor pre-wired for HI/LO dimming	24,000	4000K, 70CRI	258	347	Medium	24	1

\*Values are nominal.

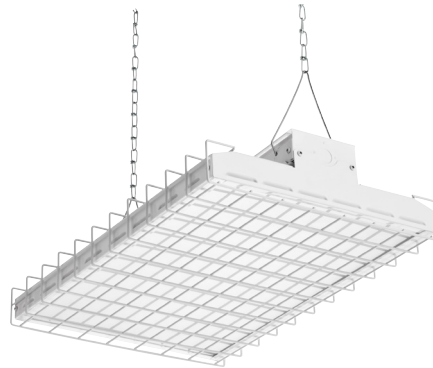
### Accessories: Order as separate catalog number.

#### Mounting

IBAC120 M20	Aircraft cable 10' with hook (one pair)
IBAC240 M20	Aircraft cable 20' with hook (one pair)
IBLPMP	Pendant monopoint splice box, includes side covers
IBLPMPHB	Pendant monopoint splice box, includes side covers (3/4" hub)
HC36	Chain hangers (one pair, 36" long)

#### Wire guards

WGBH	Wire guard for 12L fixture
WGBH4	Wire guard for 18L and 24L fixtures



Shown with wire guard and chain hangers.